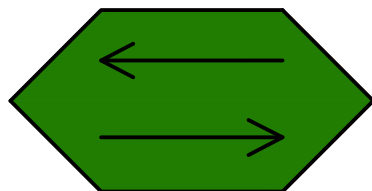
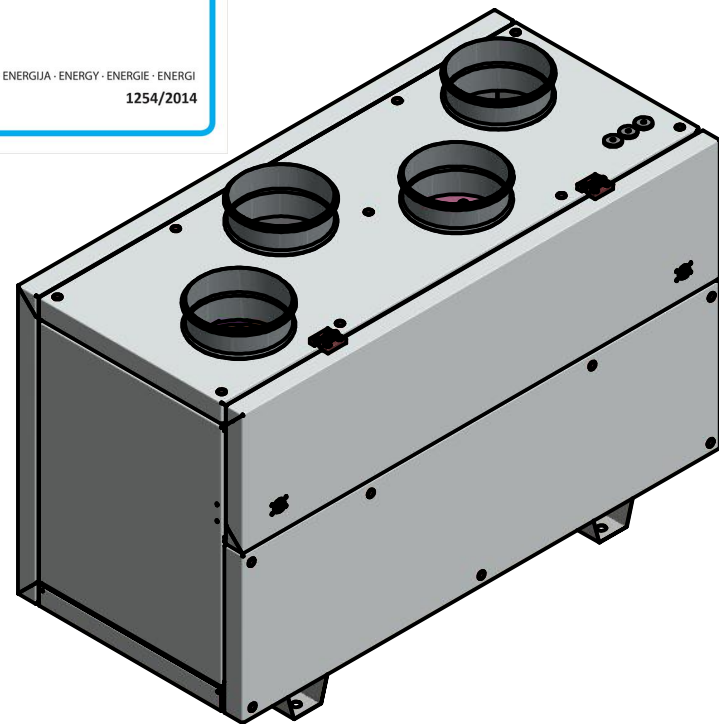
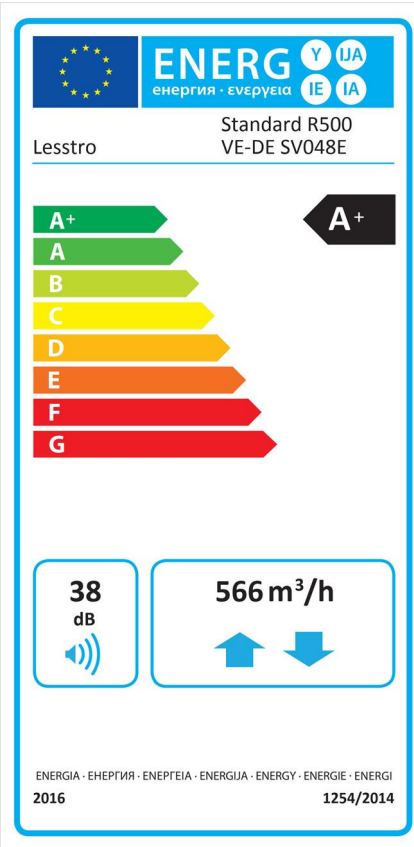
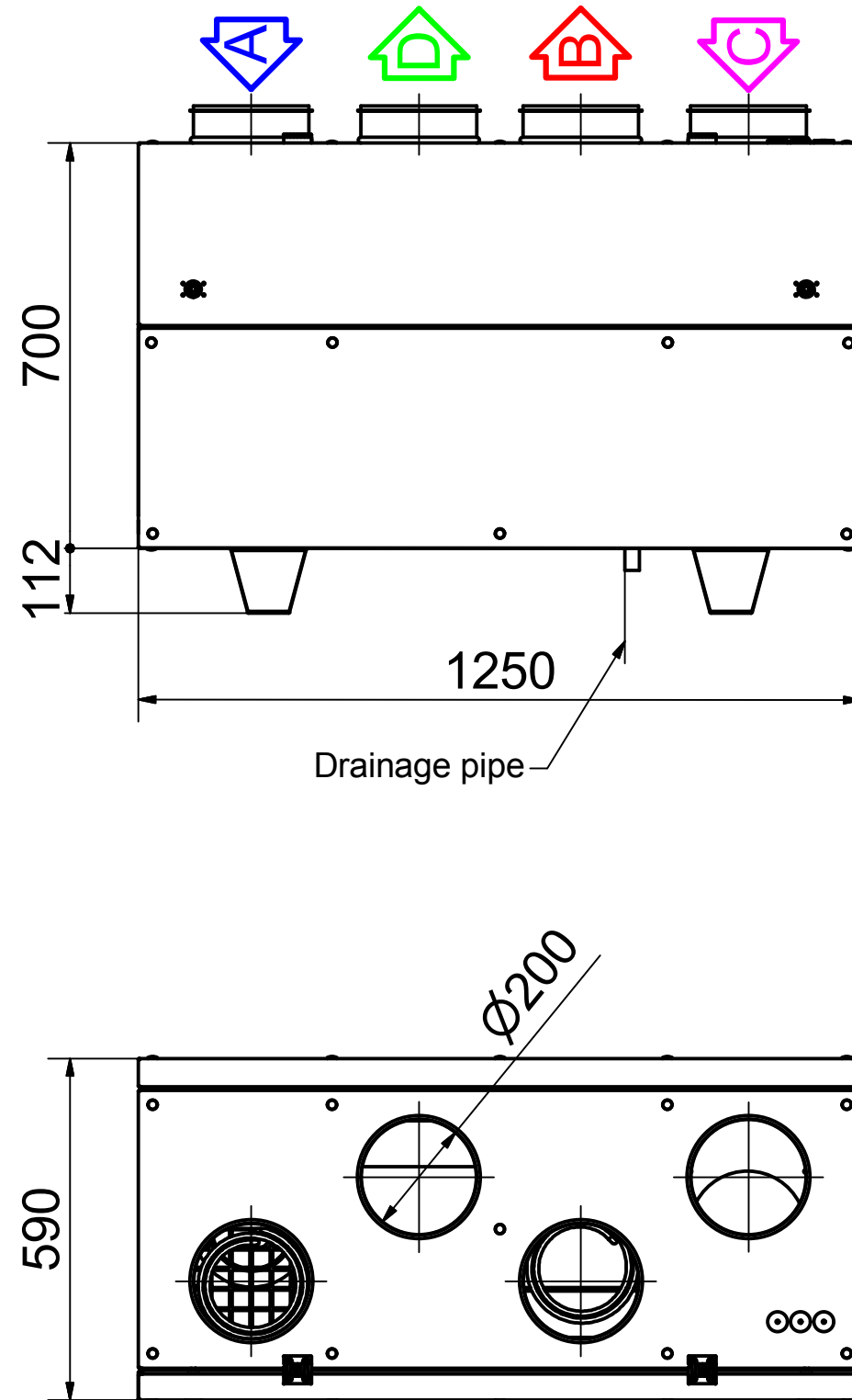


Lesstro Standard R500VE-DE SV048E

AHU with counter-flow heat exchanger



- A - outdoor intake air
- B - supply air
- C - extract indoor air
- D - exhaust air



SPECIFICATION

Energy efficiency class:	A+
Nominal air flow, m ³ /h:	500
Supply voltage, V:	230
EC fans, 2x kW:	ErP2015 0.170 <small>EXCEEDS THE NORM</small>
Electrical heater, kW:	2.0+1.0
Maximal operating current, A:	15
Panel thickness, mm:	50
Weight, kg:	95
Operation:	indoor
Sound level, dB(A):	38
Filter dimensions, mm:	480x260x46
Control panel:	PT1-B1
Color code:	RAL9010

