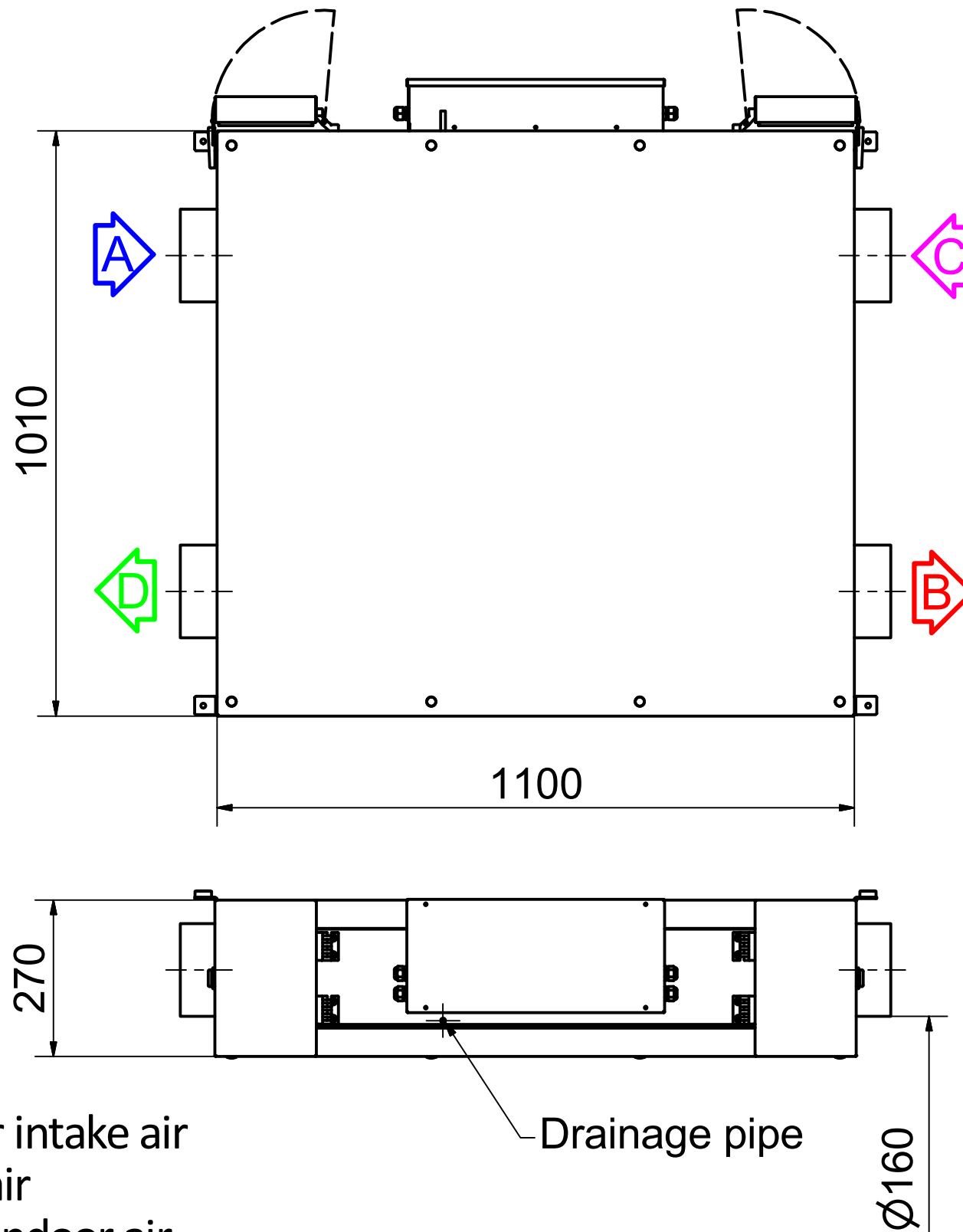
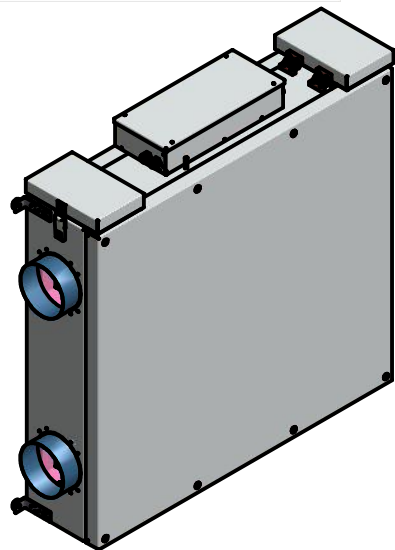
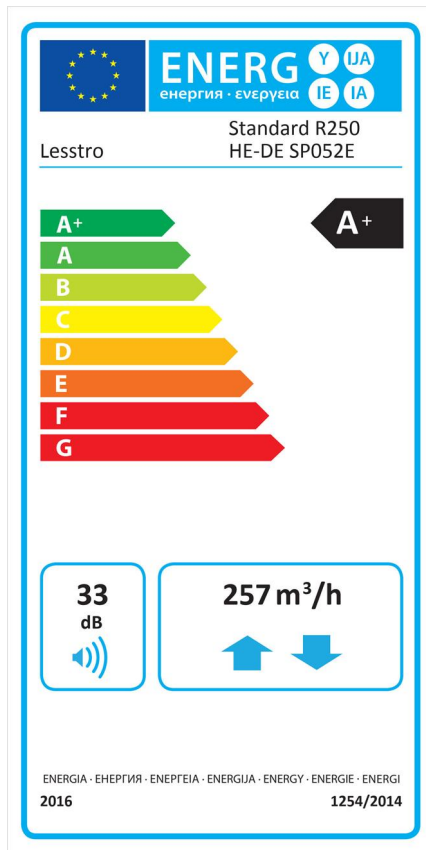


Lesstro Standard R250HE-DE SP052E

AHU with counter-flow heat exchanger



- A - outdoor intake air
- B - supply air
- C - extract indoor air
- D - exhaust air

SPECIFICATION

Energy efficiency class:	A+
Nominal air flow, m ³ /h:	250
Supply voltage, V:	230
EC fans, 2x kW:	0.085
Electrical heater, kW:	1.0+1.0
Maximal operating current, A:	11
Panel thickness, mm:	50
Weight, kg:	60
Operation:	indoor
Sound level, dB(A):	33
Filter dimensions, mm:	490x155x46
Control panel:	PT1-B1
Color code:	RAL9010

