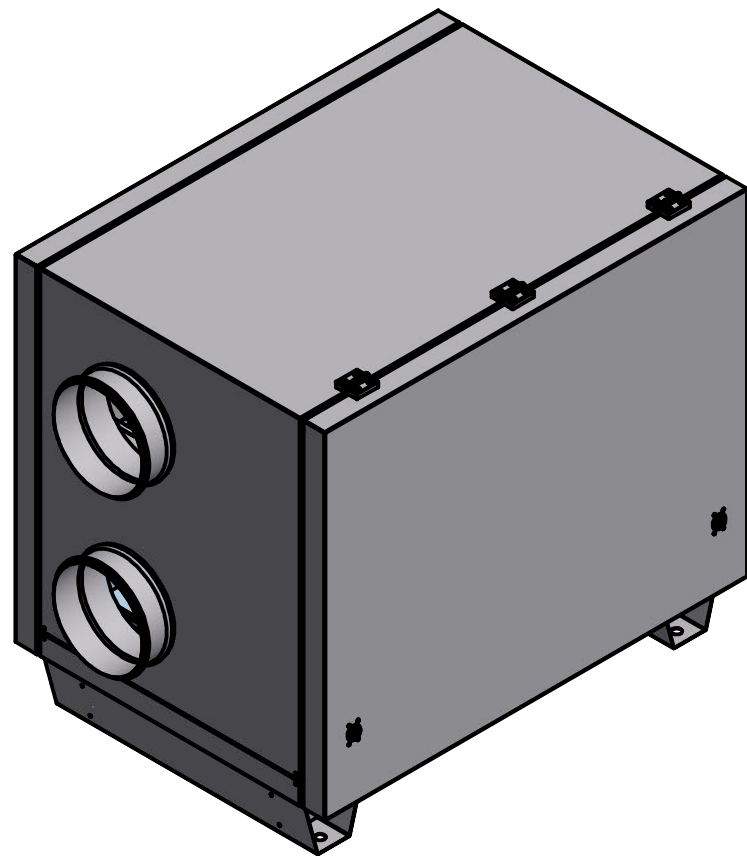
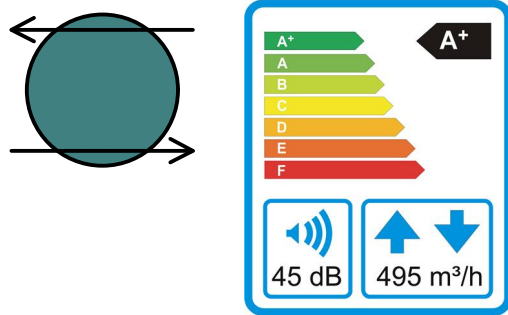
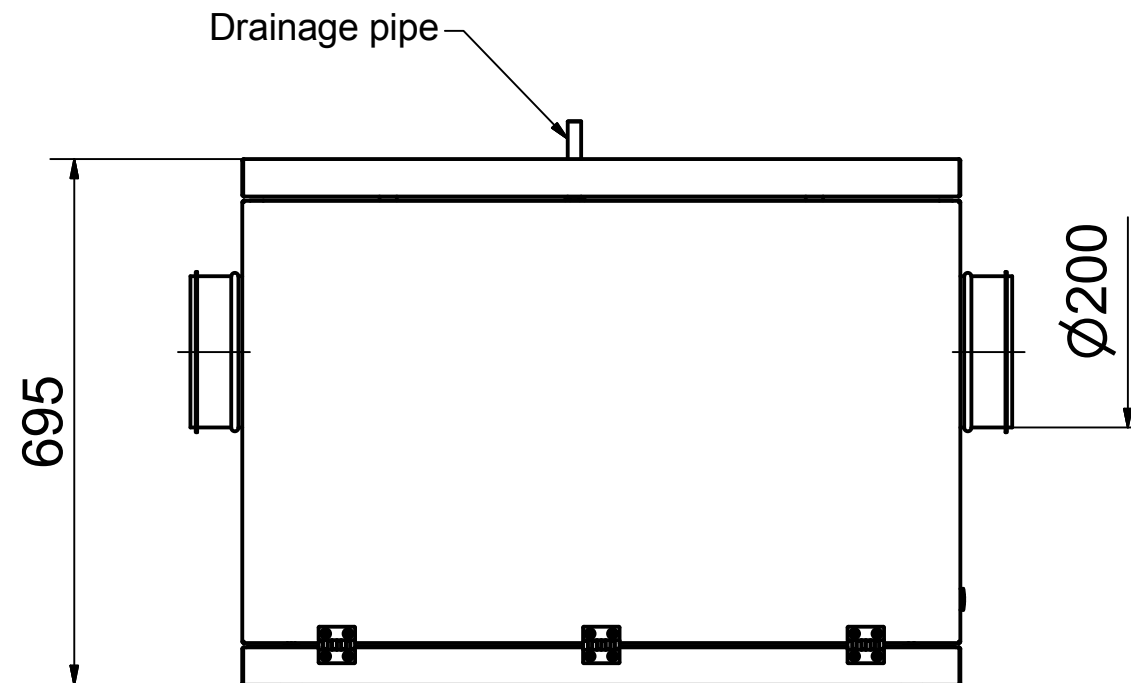
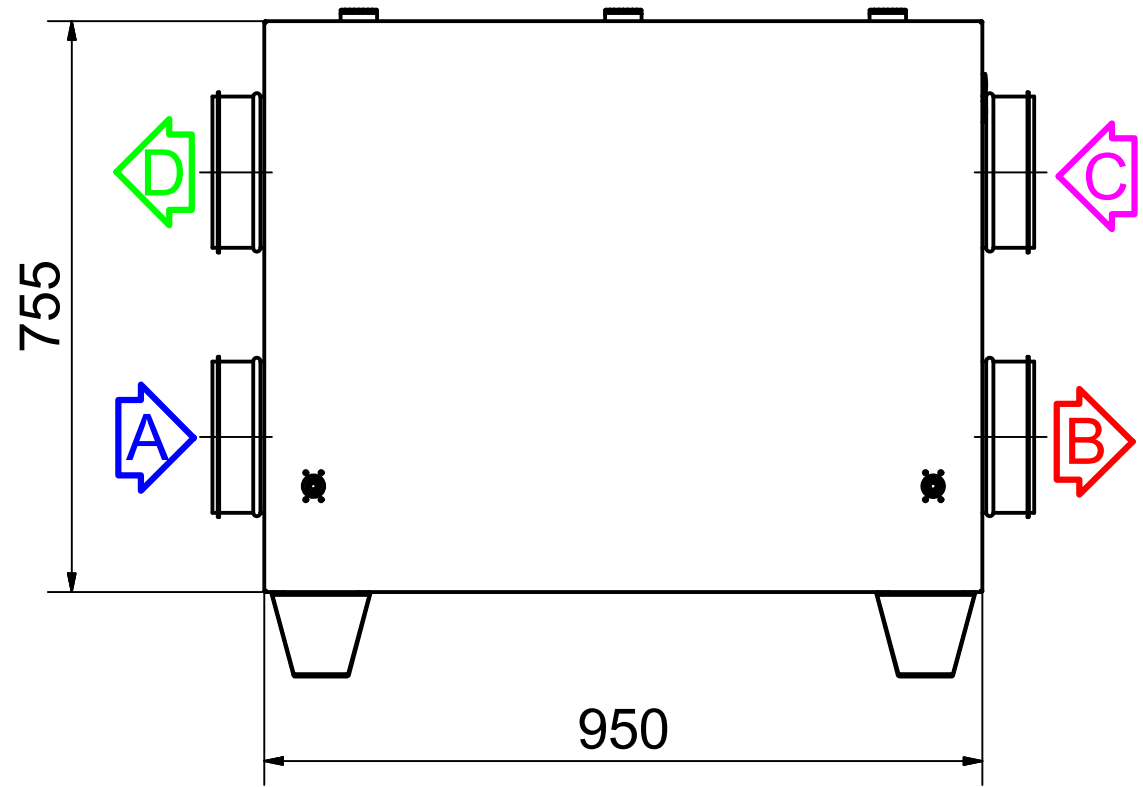


Lesstro R500HE-DE RH021E

AHU with rotor heat exchanger



- A - outdoor intake air
- B - supply air
- C - extract indoor air
- D - exhaust air



SPECIFICATION

| | |
|--------------------------------------|---|
| Nominal air flow, m ³ /h: | 500 |
| Supply voltage, V: | 230 |
| EC fans, 2x kW: | ErP2015 0.170 <small>EXCEEDS THE NORM</small> |
| Electrical heater, kW: | 2.0 |
| Maximal operating current, A: | 16 |
| Panel thickness, mm: | 50 |
| Weight, kg: | 130 |
| Operation: | indoor |

ACOUSTIC DATA, dB(A)

| | |
|--------------|----|
| Supply: | 64 |
| Extract: | 58 |
| Surrounding: | 45 |

*Measured at 495 m³/h, 100 Pa

