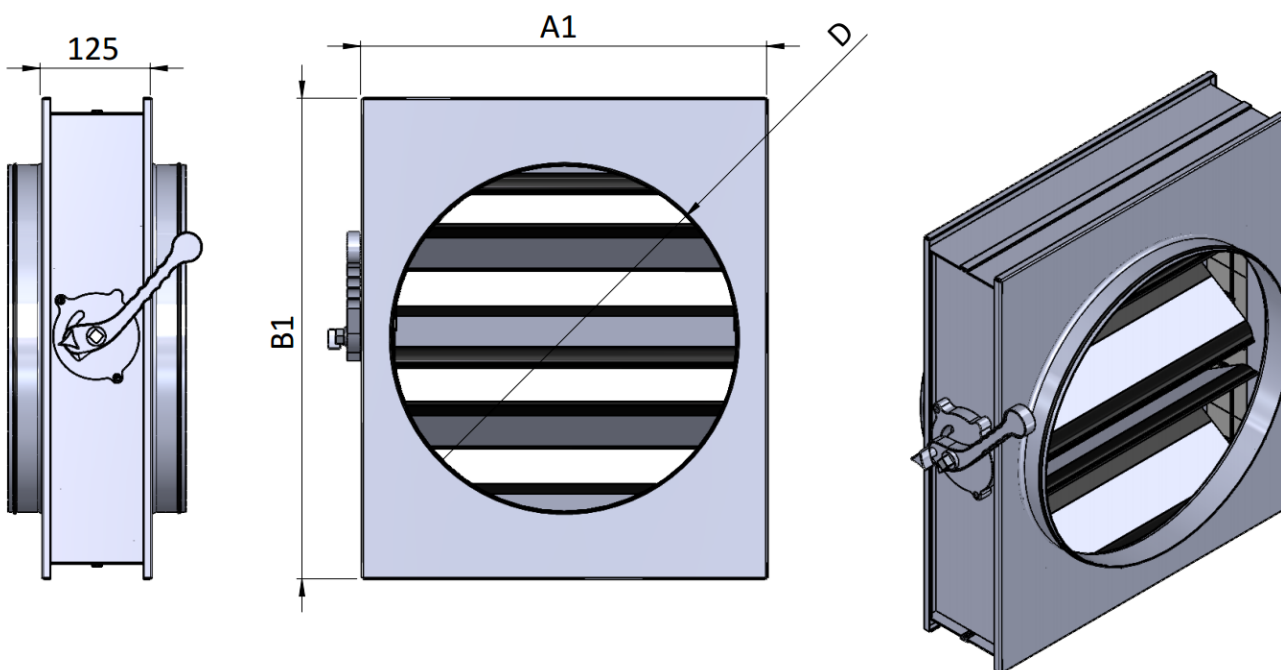


## Multi-blade dampers PADVG/PADVM



- For air flow closure and adjustment;
- When ordering select by round duct connection diameter D mm;
- Connection diameters:

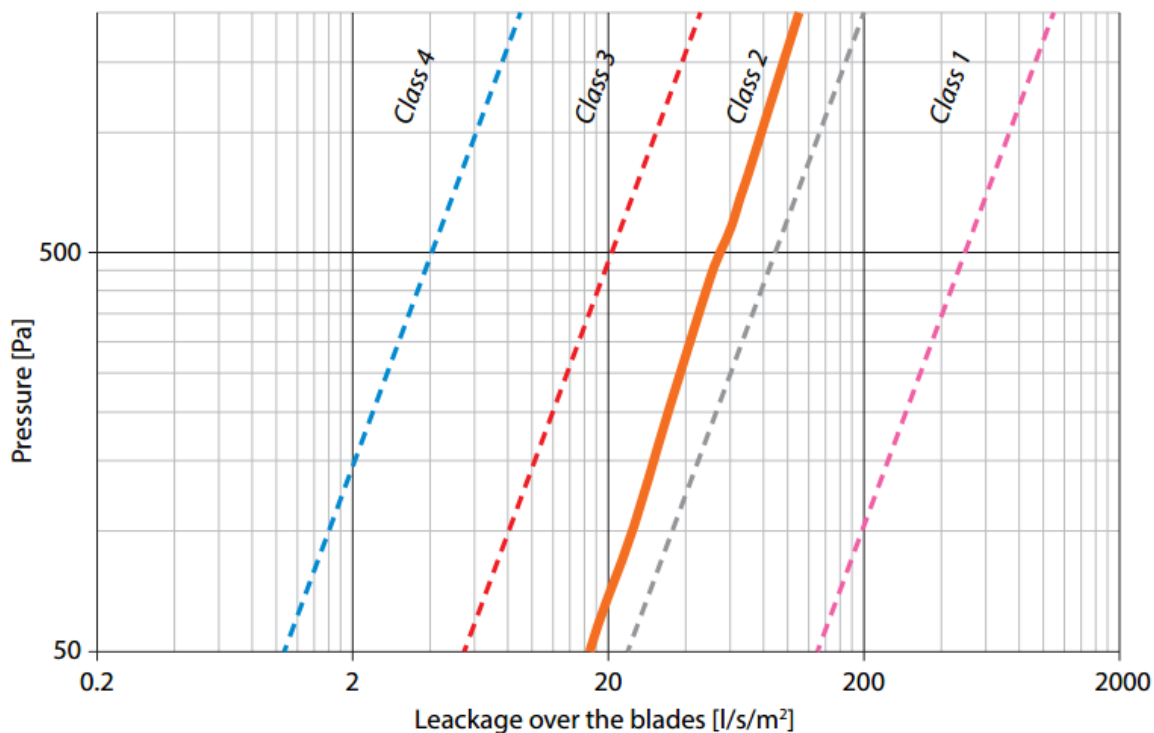
D, mm	500	630	710	800	900	1000	1250
A1, B1 mm	545	645	745	845	945	1045	1345

\*other dimension options are possible

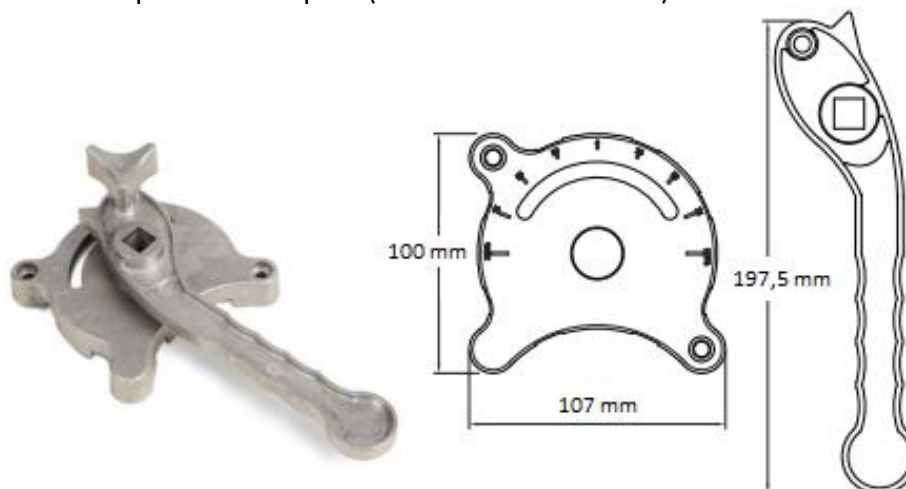
- Leverage shaft - □ 12 x 12 mm;
- Body - aluminium EN AW 6060 T6;
- Blades – aluminium EN AW 6060/nylon PA 6.6;
- Blades mechanism – „Zytel 80G14 Dupont“;
- Gaskets – TPE-V/PP, round duct connection gasket - EPDM;
- Round duct connection – tin sheet DX51D+Z or S220GD+Z;
- Range of operating temperature - +80°C/-40°C;

*Duomenys gali būti keičiami be atskiro įspėjimo. Data:2022-11-11*

- Leakage diagram tested in accordance to EN 1751:



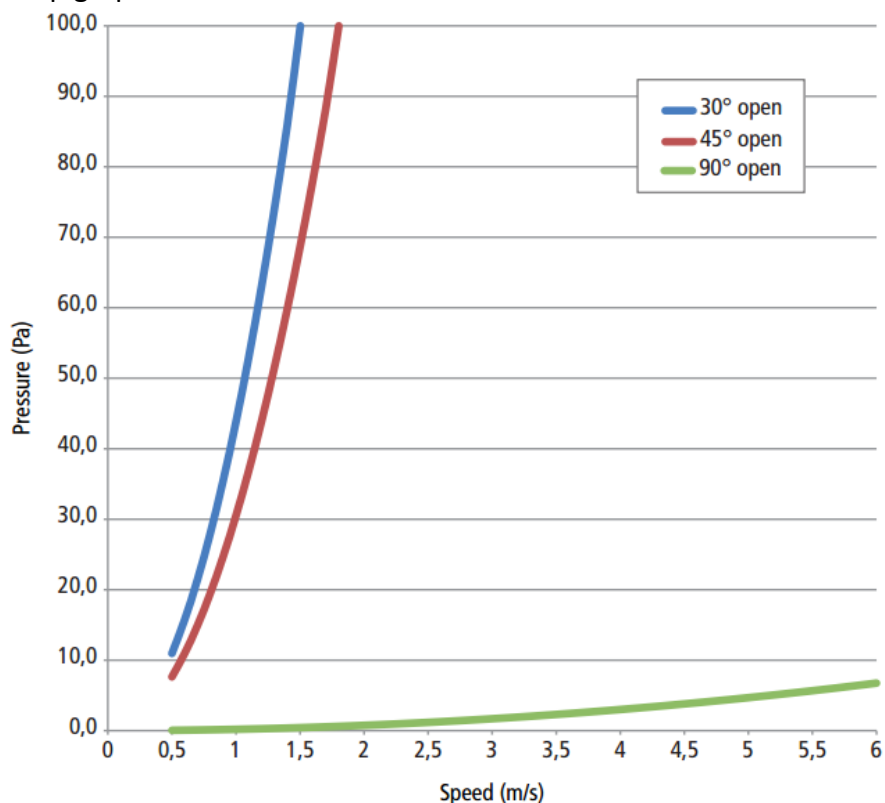
- Handle for hand operated dampers (material EN AB 46100):



- An actuator operated version (M) comes with the base for actuator – 90 x 200 mm;
- Special lever for remote control by chain is possible;

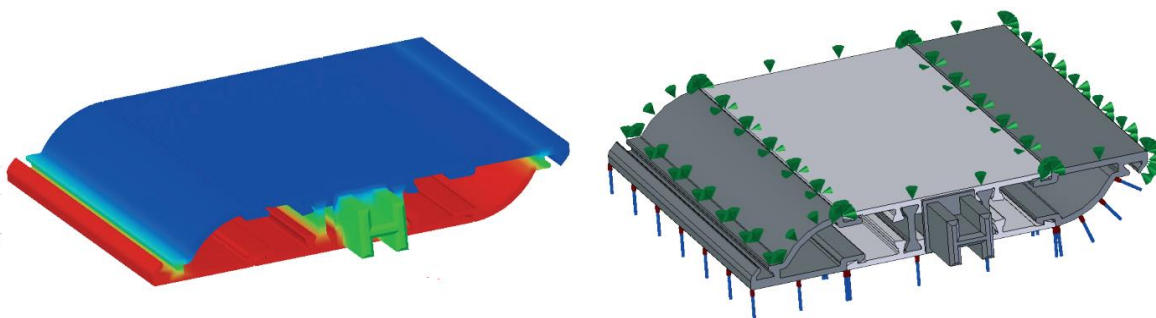
*Duomenys gali būti keičiami be atskiro įspėjimo. Data:2022-11-11*

- Pressure drop graph:



- Damper's blades performance insulation test:

	Exposed Surface		Unexposed Surface	
	Initial Temp.	Final Temp. Duration 24h	Initial Temp.	Final Temp. Duration 24h
Aluminium only blades	16°C	39,3°C	16°C	34,5°C
Thermal break blades with polyurethane		72,4°C		46,1°C



Duomenys gali būti keičiami be atskiro įspėjimo. Data:2022-11-11